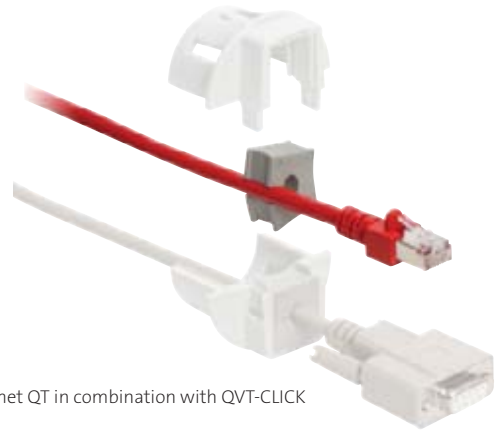


QT

Grommets



Grommet QT in combination with QVT-CLICK

Product Description

The QT range supports cable diameters from 3 to 15 mm. They are used with the following cable entry frames:

KEL-QUICK (50 - 51) | QVT/QVT-CLICK (52 - 53) |
KEL-QTA/KEL-QTE (54 - 55)

Assembly Note






When installing the grommets, the flat side should be facing the middle of the frame. This allows the flat sides of adjacent grommets to match up and provide a secure seal.

Specifications

Material	Elastomer
Flame class	UL94-V0
IP Rating	IP54
Temperature	- 40°C to+ 90°C (static) - 40°F to + 194°F (static)
Properties	Halogen-free, silicone-free

Accessories

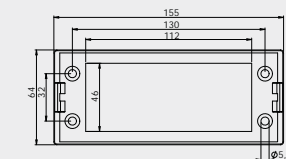
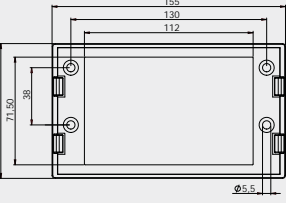
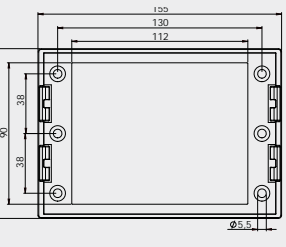
ST Plugs 49

Type	Order No. gray	Clamping range	PU	Description	
QTB	42540	Blank grommet	10		
QT 3	42503	3 - 4 mm	10		QT
QT 4	42504	4 - 5 mm	10		
QT 5	42505	5 - 6 mm	10		
QT 6	42506	6 - 7 mm	10		
QT 7	42507	7 - 8 mm	10		
QT 8	42508	8 - 9 mm	10		
QT 9	42509	9 - 10 mm	10		
QT 10	42510	10 - 11 mm	10		
QT 11	42511	11 - 12 mm	10		
QT 12	42512	12 - 13 mm	10		
QT 13	42513	13 - 14 mm	10		
QT 14	42514	14 - 15 mm	10		
QT 2 3	42566	2× Ø 3 mm	10		
QT 2 4	42568	2× Ø 4 mm	10		
QT 2 5	42570	2× Ø 5 mm	10		
QT 2 5.5	42571	2× Ø 5,5 mm	10		QT-ASI
QT 2 6	42572	2× Ø 6 mm	10		
QT 2 6.5	42576	2× Ø 6,5 mm	10		
QT 2 7	42578	2× Ø 7 mm	10		
QT 4 3	42580	4× Ø 3 mm	10		
QT 4 4	42582	4× Ø 4 mm	10		
QT 4 4.5	42583	4× Ø 4,5 mm	10		
QT 4 5	42584	4× Ø 5 mm	10		
QT 4 5.5	42585	4× Ø 5,5 mm	10		
QT 4 6	42586	4× Ø 6 mm	10		
QT-ASI 1	42573	1× ASI-cable	10		QT tele
QT-ASI 2	42574	2× ASI-cable	10		
QT tele	42575	Telephone cable	10		

KEL-SNAP Mounting Frames



Type	Order No.	Fits for	Cut-out [mm]	PU	Description
------	-----------	----------	--------------	----	-------------

KEL-SNAP 24	42042	KEL 24 KEL-U 24 KEL-FG A KEL-QUICK 24	46 × 112	10	
KEL-SNAP 24-E	42044	KEL 24-E	71 × 112	1	
KEL-SNAP 24-MT	42046	KEL 24-MT	89 × 112	1	

Specifications

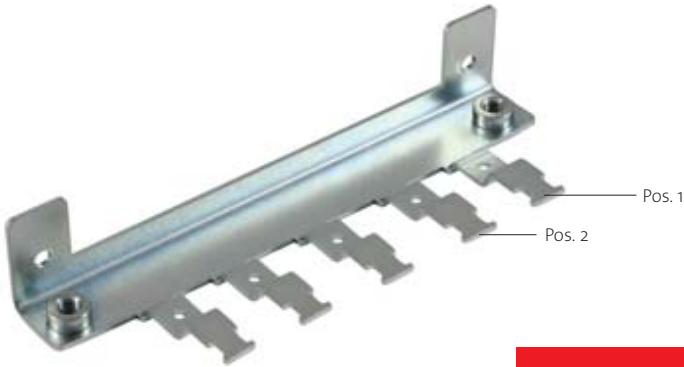
Material	Polyamide (PA)
Flame class	UL94-Vo
IP rating	IP54 (certified acc. to EN 60529)
NEMA type rating	NEMA type 12 (acc. to UL 50E)
Temperature	- 40°C to + 140°C (static) - 40°F to + 284°F (static)
Properties	Halogen-free, silicone-free
Cut-out dimensions	See Page 192 - 193

Accessories

KEL Cable entry frames	18 - 24
KEL-U Cable entry frames	8 - 14
KEL-QUICK Cable entry frames	50 - 51
MP Module plates	148 - 149
BPK-SNAP Blank plates	160

KEL-EMC-Z

Grounding Mount with Strain Relief



Type	Order No.	No. of teeth	Fastening	Fits with	PU
------	-----------	--------------	-----------	-----------	----

Product Description

Cable entry, EMC shielding and strain relief – all in one location!

Cables pass through the KEL cable entry and insert directly to the EMC clamps and strain relief.

Simply insert the cable shield into the shield clamp and secure the cable jacket to the strain relief. Two separate functions acc. to regulations – carried out quickly and easily!

Custom configurations are available for shield clamps up to 16 mm in diameter with minimal order quantities and lead time.

Advantages & Benefits

- Large surface contact between cable shield and housing, especially on conductive coated surfaces
- Sealing by outer cable jacket – EMC shielding by cable shield (in acc. with regulations)
- Combined routing and fastening with the KEL cable entry system
- Available without SKL shield clamps if only additional strain relief is required
- Mounting hole for ground strap or PE connection

Specifications

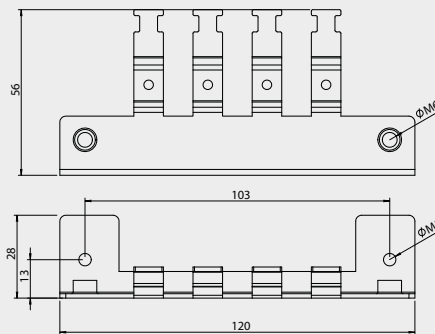
Material **Carbon steel, zinc plated**

Compatible with

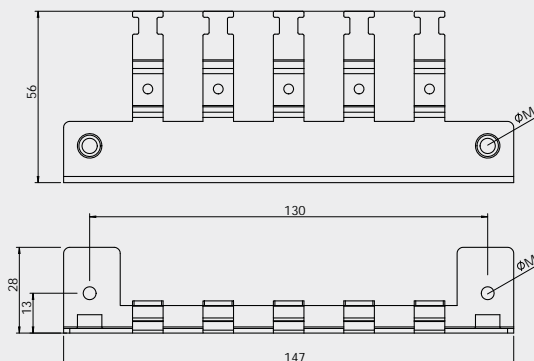
KEL-U Cable entry frames	8 - 14
KEL-ER Cable entry frames	9 - 17
KEL Cable entry frames	16 - 27
KEL-QUICK Cable entry frames	50 - 51

KEL-EMC-Z 16 4	36525	4	long side	KEL-E4 KEL 16 x KEL-U 16 x KEL-ER 16 x KEL-QUICK 16	1
KEL-EMC-Z 24 5	36527	5	long side	KEL-E5 KEL 24 x KEL-U 24 x KEL-ER 24 x KEL-QUICK 24	1

KEL-EMC-Z 16|4

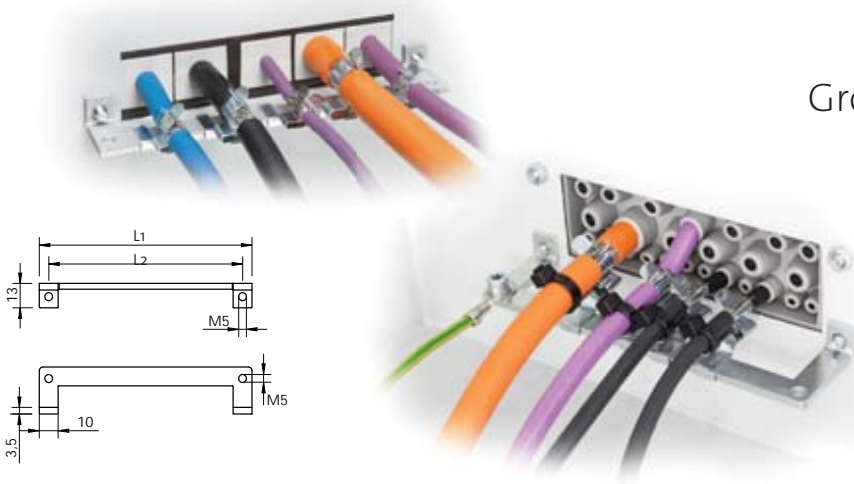


KEL-EMC-Z 24|5



KEL-EMC-PF

Grounding Mount, Bracket Version



Type	Fits with	Order No.	Length L1	Length L2	PU
KEL-EMC-PF B4	KEL-E2 KEL-B KEL-U-B KEL-ER-B	39150	68 mm	58 mm	1
KEL-EMC-PF 10	KEL-E3 KEL 10 x KEL-U 10 x KEL-ER 10 x	39160	93 mm	83 mm	1
KEL-EMC-PF 16	KEL-E4 KEL 16 x KEL-U 16 x KEL-ER 16 x	39170	113 mm	103 mm	1
KEL-EMC-PF 24	KEL-E5 KEL 24 x KEL-U 24 x KEL-ER 24 x KEL-DPZ 24 x KEL-DPZ-E	39180	140 mm	130 mm	1

Product Description

The EMC bracket combined with the matching PFS|SKL EMC shield clamp is perfect in conjunction with the KEL cable entry frame for alleviating interferences due to shields.

The EMC clamp is assembled inside the control panel. For this process the same fixing screws for the assembly of the KEL frame on the control panel are used. A female screw thread M5 is already integrated in the KEL-EMC-PF bracket.

Depending on the cable diameter, the corresponding PFS|SKL EMC shield clamp can be snapped onto the EMC bracket.

Advantages & Benefits

- Supports a wide range of cable and wire sizes
- Large surface contact of the cable shield
- Permanent spring pressure on the cable shield
- Fast and easy assembly

Specifications

Material Carbon steel, galvanically zinc plated

Compatible with

KEL-U Cable entry frames	8 - 14
KEL-ER Cable entry frames	9 - 17
KEL Cable entry frames	16 - 27
KEL-QUICK Cable entry frames	50 - 51
KEL-BES Brush frames	57
KEL-DPU Cable entry plates	62 - 63
KEL-DPZ Cable entry plates	64 - 67
PFSZ SKL Shield clamps	100
PFS SKL Shield clamps	101

KEL-EMC

Grounding Mount



Product Description

Installation of pre-terminated cables without shield interruption.

Advantages & Benefits

- Direct, easy and quick contact to the enclosure
- Space saving, usable for up to 10 cables with the two row model
- Replacement for EMC cable glands, even for pre-terminated cables
- Low resistance shield contact

Specifications

Material **Stainless steel**

Compatible with

KEL-U Cable entry frames	8 - 14
KEL-ER Cable entry frames	9 - 17
KEL Cable entry frames	16 - 27
KEL-QUICK Cable entry frames	50 - 51

Type	Order No.	No. of teeth	Fastening	Fits with	PU
KEL-EMC-B	36520	2	long side	KEL-E2 KEL(-U)-B x KEL-ER-B x KEL-QUICK-B2 B4	5
KEL-EMC 10	36522	3	long side	KEL-E3 KEL(-U) 10 x KEL-ER 10 x	5
KEL-EMC 16 4	36524	4	long side	KEL-E4 KEL(-U) 16 x KEL-ER 16 x KEL-QUICK 16	5
KEL-EMC 24 5	36526	5	long side	KEL-E5 KEL(-U) 24 x KEL-ER 24 x KEL-QUICK 24	5
KEL-EMC F	39110	3	narrow side	KEL(-U)-B x KEL-ER-B x KEL(-U) 10 x KEL-ER 10 x KEL(-U) 16 x KEL-ER 16 x KEL(-U) 24 x KEL-ER 24 x	5

FP-AE

Flanged Plates for Compact Enclosures



Description

Product Description

We supply complete flanged plates FP with 112 × 36 mm cut-outs for compact enclosures of the AE series. The cut-outs, as well as the drilling template, conform to the standard cut-outs for 24-pole industrial connectors.

All flanged plates are RAL 7035 powder-coated. Please use the gaskets of the standard plates. Enclosures are supplied with gaskets and screws.

We recommend fastening the cable entry systems with a torque of 1.5 - 2.0 Nm.

Advantages & Benefits

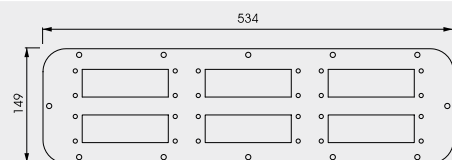
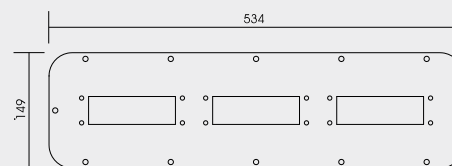
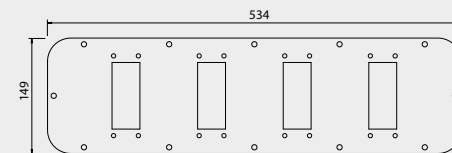
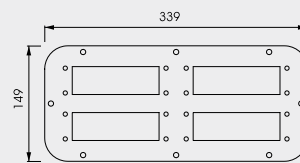
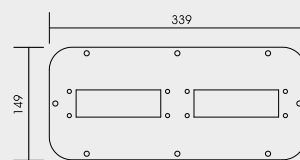
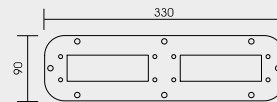
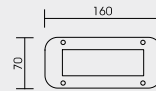
- No expensive extra sheet metal work is required
- High cable density is achieved by using KEL, KEL-U, KEL-DPZ or KEL-DP
- Reduce labor costs by using cable entry systems KEL, KEL-U, KEL-DPZ or KEL-DP compared to the assembly of conventional cable glands

Specifications

Material **Carbon steel, powder coated**

Compatible with

KEL Cable entry frames	18 - 19
KEL-U Cable entry frames	8 - 10
KEL-SNAP Mounting frames	36 - 37
KEL-QTA 24 Cable entry frames	54 - 55
KEL-DPU 24 Cable entry plates	62 - 63
KEL-DPZ 24 Cable entry plates	64 - 65
KEL-DP 24 Cable entry plates	72
Blank plates	158 - 159



FP-AE

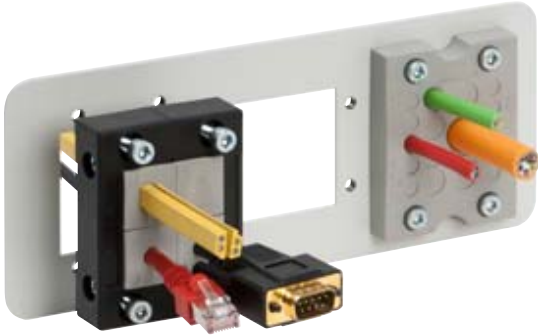
Flanged Plates for Compact Enclosures



Type	Order No. RAL 7035	Compatible with: (Product Group 1)	Compatible with: (Product Group 2)	Size FP	Compatible with (e.g. for Rittal)
FP-AE 160 70 with 1 cut-out 36 x 112 mm	43836	KEL-QTA 24	KEL-DP 24	1	AE 1032 AE 1035
FP-AE-24 330 90 with 2 cut-outs 36 x 112 mm	43838	KEL 24 KEL-U 24 KEL-QTA 24	KEL-DPZ 24 KEL-DPU 24 KEL-DP 24	3	AE 1030 AE 1031 AE 1038 AE 1380
FP-AE-16 330 90 with 2 cut-outs 36 x 86 mm	43861	KEL 16 KEL-U 16		3	
FP-AE 339 149 with 2 cut-outs 36 x 112 mm	43840	KEL 24 KEL-U 24 KEL-SNAP 24 KEL-QTA 24	KEL-DPZ 24 KEL-DPU 24 KEL-DP 24	4	AE 1037 CS 9751.125 AE 1045 CS 9751.145 AE 1050 CS 9751.165 AE 1057 CS 9752.125 AE 1100 AE 1110 TP 6710 AE 1114 TP 6712 AE 1130 TP 6714 AE 1213 TP 6716 AE 1338 AE 1350
FP-AE 339 149 with 4 cut-outs 36 x 112 mm	43846	KEL 24 KEL-U 24 KEL-QTA 24	KEL-DPZ 24 KEL-DPU 24 KEL-DP 24	4	
FP-AE 534 149 with 4 cut-outs 36 x 86 mm	43871	KEL 16 KEL-U 16 KEL-SNAP 16		5	AE 1039 EL 1919 AE 1054 EL 1926 AE 1055 AE 1058 IN 1076.290 AE 1060 AE 1073 TP 6711 AE 1076 TP 6713 AE 1077 TP 6715 AE 1090 TP 6717 AE 1180 AE 1260 AE 1280 AE 1339 AE 1360 AE 1376 AE 1958
FP-AE 534 149 with 3 cut-outs 36 x 112 mm	43842	KEL 24 KEL-U 24 KEL-SNAP 24 KEL-QTA 24	KEL-DPZ 24 KEL-DPU 24 KEL-DP 24	5	
FP-AE 534 149 with 6 cut-outs 36 x 112 mm	43848	KEL 24 KEL-U 24 KEL-QTA 24	KEL-DPZ 24 KEL-DPU 24 KEL-DP 24	5	

FP-KL

Flanged Plates for Junction Boxes



Cable entry plate for Rittal KL:
KEL-DPZ-KL - see page 66

Description

Product Description

The FP flanged plates type KL, designed to fit the Rittal KL series junction boxes, are installed in combination with a cable entry system for either pre-terminated or standard cables. FP flanged plates are pre-cut, pre-drilled and painted for easy and quick installation of icotek cable routing products.

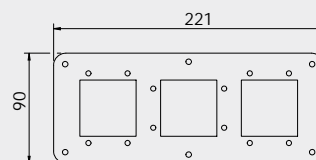
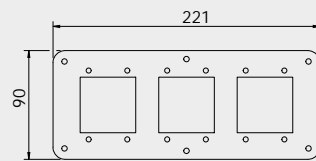
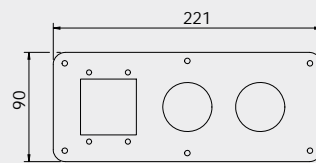
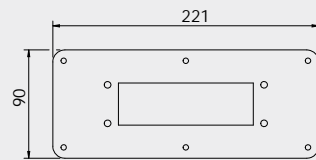
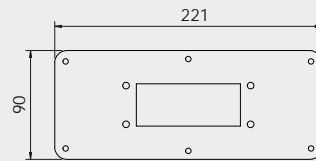
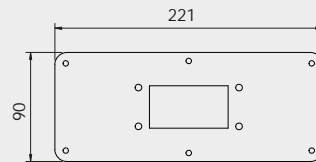
We recommend fastening the cable entry systems with a torque of 1.5 - 2.0 Nm.

Specifications

Material **Carbon steel, powder coated**

Compatible with

KEL Cable entry frames	18 - 21
KEL-U Cable entry frames	8 - 14
KEL-SNAP Mounting frames	36 - 37
KEL-QTA 24 Cable entry frames	54
KEL-DPU Cable entry plates	62 - 63
KEL-DPZ Cable entry plates	64 - 71
KEL-DP Cable entry plates	72
KEL-DPF Cable entry grommets	77
Blank plates	158 - 159



FP-KL

Flanged Plates for Junction Boxes



Type	Order No. RAL 7035	Flanged plates compatible with	Size FP	Compatible with (e.g. for Rittal)
FP-KL 221x90 10 with 1 cut-out 36 x 65 mm	43853	KEL 10 KEL-U 10 KEL-SNAP 10	2	Junction boxes Type KL
FP-KL 221x90 16 with 1 cut-out 36 x 86 mm	43855	KEL 16 KEL-U 16 KEL-SNAP 16	2	Junction boxes Type KL
FP-KL 221x90 24 with 1 cut-out 36 x 112 mm	43834	KEL 24 KEL-U 24 KEL-SNAP 24 KEL-QTA 24 KEL-DPZ 24 KEL-DPU 24 KEL-DP 24	2	Junction boxes Type KL
FP-KL 221x90 A with 3 cut-outs	43852	KEL-B KEL-U-B KEL-SNAP-B KEL-DPZ-B KEL-DPZ 40 KEL-DPF 40	2	Junction boxes Type KL
FP-KL 221x90 B with 3 cut-outs 46 x 46 mm	43854	Use with 2x KEL-SNAP-B and 1x KEL-DPZ-B	2	Junction boxes Type KL
FP-KL 221x90 C with 3 cut-outs 46 x 46 mm	43856	KEL-B KEL-U-B KEL-DPZ-B	2	Junction boxes Type KL

FP-BG

Flanged Plates for Bus Enclosures



Description

Product Description

The FP flanged plates type BG, designed to fit the Rittal BG series enclosures, have up to 3 cut-outs that match the dimensions of the standard cut-outs for the 24-pole industrial connectors. These flanged plates are installed in combination with a cable entry system for either pre-terminated cables (KEL 24 or KEL-U 24) or standard cables (KEL-DPZ 24, KEL-DPU 24 or KEL-DP 24).

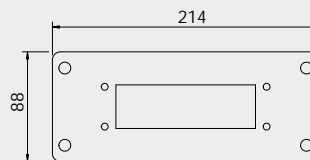
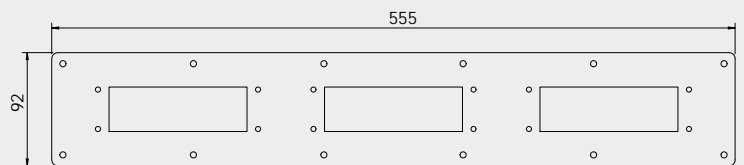
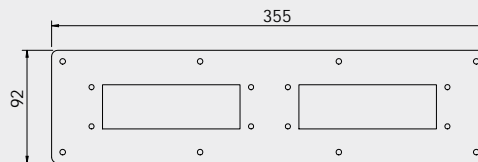
We recommend fastening the cable entry systems with a torque of 1.5 - 2.0 Nm.

Specifications

Material **Carbon steel, powder coated**

Compatible with

KEL 24 Cable entry frames	18
KEL-U 24 Cable entry frames	8
KEL-SNAP Mounting frames	36 - 37
KEL-QTA 24 Cable entry frames	54 - 55
KEL-DPU 24 Cable entry plates	62 - 63
KEL-DPZ 24 Cable entry plates	64 - 65
KEL-DP 24 Cable entry plates	72
Blank plates	158 - 159



FP-BG

Flanged Plates for Bus Enclosures



Type	Order No. RAL 7035	Flanged plates compatible with	Size FP.	Compatible with (e.g. for Rittal)
FP-BG 355x92 with 2 cut-outs 36 x 112 mm	43866	KEL 24 KEL-U 24 KEL-SNAP 24 KEL-QTA 24 KEL-DPZ 24 KEL-DPU 24 KEL-DP 24	-	BG 1558.510
FP-BG 555x92 with 3 cut-outs 36 x 112 mm	43865	KEL 24 KEL-U 24 KEL-SNAP 24 KEL-QTA 24 KEL-DPZ 24 KEL-DPU 24 KEL-DP 24	6	BG 1050.900 BG 1559.510 IN 1510.280
FP-FL 21 with 1 cut-out 36 x 112 mm	43832	KEL 24 KEL-U 24 KEL-SNAP 24 KEL-QTA 24 KEL-DPZ 24 KEL-DPU 24 KEL-DP 24	-	Fibox plates